

EM-380-EB

The stylish stand and slim gooseneck gives the EM-380 paging microphone an elegant look. Its stand is stable due to its reasonable weight and rubber feet. When depressing the talk button, the blue ring around the microphone is indicating that it is ready for broadcasting. The microphone can be powered by batteries or by phantom power from a pre-amplifier.




Article number: EM-380-EB
 Alternative products: EC-100M, PM-660,
 PM-660D, PM-660U

Specifications

Power source	Battery (3 VDC (2 x "AA" batteries) or phantom power)
Frequency response	50 Hz - 16 kHz
Connection	3-pin XLR
Phantom power	9 - 52 V
Controls	Talk button (on/off)
Microphone type	elektret-condensator
Directivity	Cardioid
Sensitivity	-41 dB (1 kHz, 0 dB = 1 V/Pa)
Dimensions (W x H x D)	110 x 484 x 145 mm
Dimensions (ø x D)	x 145 mm
Finish	ABS resin, paint, black,
Operating temperature	0°C to 40°C

Appearance



GOOSENECK MICROPHONE

EM-380-EB

DESCRIPTION

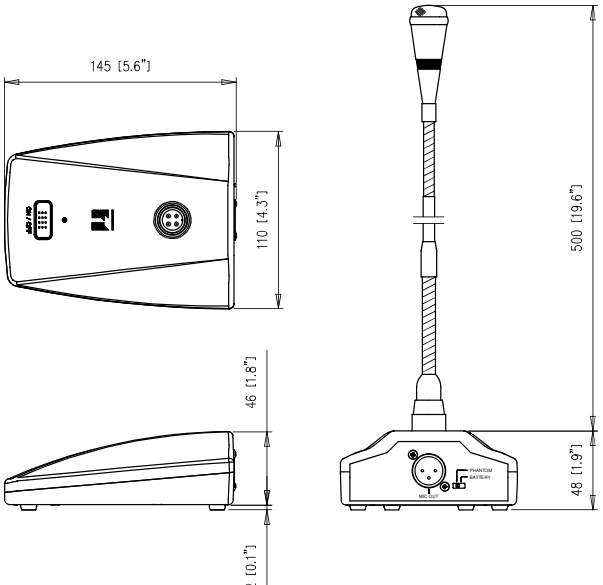
The EM-380-EB is a unique shape and high quality condenser microphone designed for use in lecture halls, house of worship, and paging applications. This product be equipped optional power that selectable between battery or phantom power. This product can be used easily, just plugged into amplifier, start speech, and feel the clarity your voice.

SPECIFICATIONS

Element	Condenser Microphone
Polar Pattern	Cardioid
Rated Impedance	750 Ω, Balanced
Rated Sensitivity	-41 dB ±3 dB (1 kHz 0 dB=1 V/Pa)
Power Source	3 VDC (2 x "AA" batteries) or phantom power (9 - 52 VDC)
Frequency Response	50 Hz - 16,000 Hz
Output Connector	XLR-3-32 Equivalent
Operating Temperature	0 °C - 40 °C (32 °F - 104 °F)
Finish	Stand Mic : ABS resin, Black Mic shaft : Copper alloy, Black, Paint
Dimensions	110 (W) x 145 (L) x 532 (H) mm (4.3" x 5.7" x 20.9")
Weight	550 g (exclude batteries)
Accessory	Windscreen 1, XLR to Phone plug cable (7.5m) 1

Note: Prepare 2 batteries (not supplied with the unit)

APPEARANCE



UNIT : mm [in] SCALE : 1/3

MAR/04/2019

TOA Corporation

DWG No: 506419003